

67060**SLOTTED OPTICAL INTERRUPTER
PROTON AND TOTAL DOSE TOLERANT****Mii****OPTOELECTRONIC PRODUCTS
DIVISION**

Rev - 11/4/02

Features:

- Non-contact switching
- 0.130" wide slot
- 0.300" lead spacing

Applications:

- Position sensing
- Open sensing
- Rotation sensing

DESCRIPTION

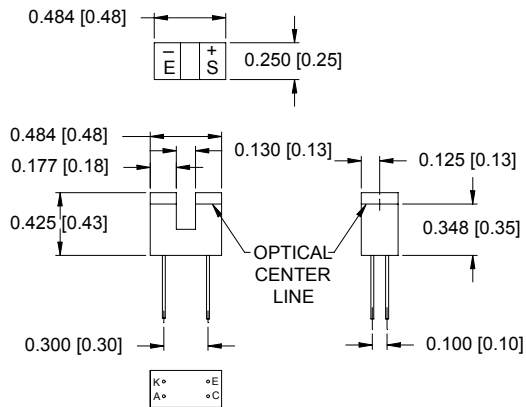
The **67060** consists of GaAlAs light emitting diode and an NPN silicon phototransistor in hermetic coaxial packages, mounted in a plastic housing on opposite sides of a 0.125" wide slot. Phototransistor switching takes place whenever an opaque object passes through the slot. The components are available screened in accordance with MIL-PRF-19500. Available with single or dual mounting flange(s).

ABSOLUTE MAXIMUM RATINGS

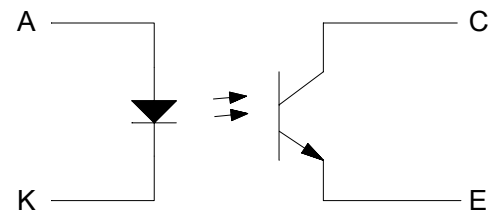
Continuous Forward Current	100 mA
Reverse Voltage	3 V
LED Power Dissipation	100 mW 1/
Continuous Forward LED Current	40mA
Collector – Emitter Voltage	30 V
Emitter – Collector Voltage	5 V
Power Dissipation	100 mW 1/
Storage Temperature	-55°C to + 100°C
Operating Temperature	-55°C to + 100°C
Lead Soldering Temperature (1/16 inch from case – 5 seconds).....	240°C

Notes:

(1) Derate linearly @ 1.33 mW/°C for $T_A > 25^\circ\text{C}$.

Package Dimensions

NOTE: ALL LINEAR DIMENSIONS ARE IN INCHES (MILLIMETERS)

Schematic Diagram

67060

SLOTTED OPTICAL INTERRUPTER

Rev - 11/4/02

OPTICAL/ELECTRICAL CHARACTERISTICS

At 25°C unless otherwise specified.

PARAMETER	SYMBOL	MIN	TYP	MAX	UNITS	TEST CONDITIONS
Input Diode Forward Voltage	V_F			2.0	V	$I_F = 10\text{mA}$
Input Diode Reverse Current	I_R			100	μA	$V_R = 3\text{V}$

OUTPUT PHOTOTRANSISTOR

At 25°C unless otherwise specified.

PARAMETER	SYMBOL	MIN	TYP	MAX	UNITS	TEST CONDITIONS
Collector – Emitter Breakdown Voltage	$V_{(BR)CEO}$	30			V	$I_C = 1\text{mA}$
Emitter – Collector Breakdown Voltage	$V_{(BR)ECO}$	5			V	$I_E = 100\mu\text{A}$
Collector – Emitter Dark Current	I_{CEO}			100	nA	$V_{CE} = 10\text{V}$

COUPLED CHARACTERISTICS

At 25°C unless otherwise specified.

PARAMETER	SYMBOL	MIN	TYP	MAX	UNITS	TEST CONDITIONS
Collector – Emitter Saturation Voltage	$V_{CE(SAT)}$			0.40	V	$I_C = 2\text{mA}, I_F = 20\text{mA}$
Collector Current	$I_{C(ON)}$	4			mA	$V_{CE} = 5\text{V}, I_F = 20\text{mA}$

SELECTION GUIDE

PART #	PART DESCRIPTION
67060-001	Commercial
67060-101	Screened